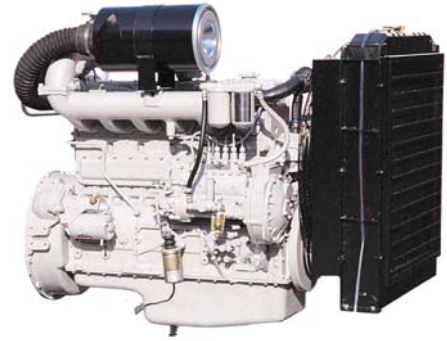


## ◎ POWER RATING

| Intermittent rating<br>kW(PS) / rpm | Max. torque<br>N.m(kg.m) / rpm | Fuel consumption<br>g/kW.h(g/PS.h) / rpm |
|-------------------------------------|--------------------------------|--|
| <b>151 (205) / 2,200</b>            | <b>793 (80.8) / 1,400</b>      | <b>216 (159) / 2,200</b>                 |

Note : -. The engine performance corresponds to ISO 3046.



## ◎ MECHANICAL SYSTEM

- Engine Model                    PU086T
- Engine Type                    In-line 4 cycle, water cooled  
   Turbo charged
- Combustion type                Direct injection
- Cylinder Type                    Replaceable dry liner
- Number of cylinders            6
- Bore x stroke                    111(4.37) x 139(5.47) mm(in.)
- Displacement                    8.071(492.49) lit.(in3)
- Compression ratio              16.8 : 1
- Firing order                      1-5-3-6-2-4
- Injection timing                12° BTDC
- Compression pressure        Above 28 kg/cm<sup>2</sup>(398 psi) at 200rpm
- Dry weight                        Approx. 780 kg (1,720 lb)
- Dimension                        1,277 x 824 x 1,001 mm  
   (LxWxH)  
   (50.3 x 32.4 x 39.4 in.)
- Rotation                          Counter clockwise viewed  
   from Flywheel

## ◎ MECHANISM

- Type                                Over head valve
- Number of valve                Intake 1, exhaust 1 per cylinder
- Valve lashes at cold            Intake 0.30 mm(0.0118 in)  
   Exhaust 0.30 mm(0.0118 in.)

## ◎ VALVE TIMING

- |                 | Opening      | Close        |
|-----------------|--------------|--------------|
| ○ Intake valve  | 16 deg. BTDC | 36 deg. ABDC |
| ○ Exhaust valve | 46 deg. BBDC | 14 deg. ATDC |

## ◎ OPTION & ACCESSORY PARTS

- Engine parts                    Fly wheel & housing  
   Intake & exhaust manifold
- Accessory parts                Raditor, silencer & air cleaner
- Electrical parts                Gauge panel & stop solenoid

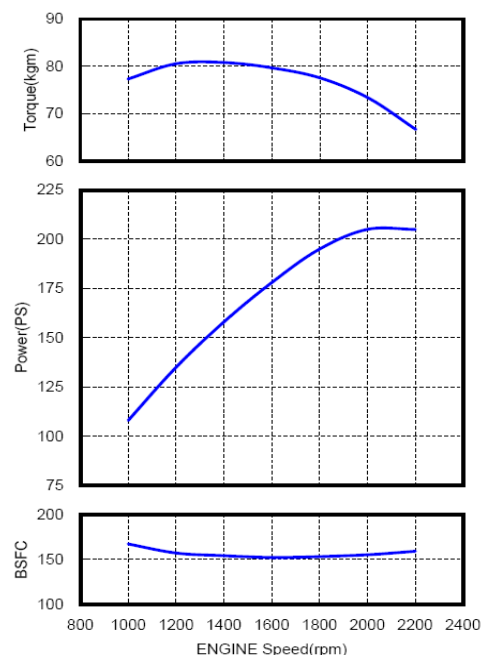
## ◎ FUEL SYSTEM

- Injection pump                Zexel in-line "AD" type
- Governor                        RSV type(all speed control)
- Feed pump                        Mechanical type
- Injection nozzle                Multi hole type
- Opening pressure              214 kg/cm<sup>2</sup> (3,044 psi)
- Fuel filter                        Full flow, cartridge type
- Used fuel                         Diesel fuel oil

## ◎ LUBRICATION SYSTEM

- Lub. Method                    Fully forced pressure feed type
- Oil pump                         Gear type driven by crankshaft
- Oil filter                         Full flow, cartridge type
- Oil pan capacity                High level 15 liters ( 4.09 gal.)  
   Low level 12 liters ( 3.17 gal.)
- Angularity limit                Front down 25 deg.  
   Front up 25 deg.  
   Side to side 25 deg.
- Lub. Oil                          Refer to Operation Manual

## ◎ PERFORMANCE CURVE



## ◎ COOLING SYSTEM

- Cooling method Fresh water forced circulation
- Water capacity 14 liters ( 3.70 gal.)  
(engine only)
- Pressure system Max. 0.9 kg/cm<sup>2</sup> ( 12.8 psi)
- Water pump Centrifugal type driven by belt
- Water pump Capacity 190 liters ( 41.8 gal.)/min  
at 2,200 rpm (engine)
- Thermostat Wax – pellet type  
Opening temp. 71°C  
Full open temp. 85°C
- Cooling fan Blower type, steel  
590 mm diameter, 6 blade

## ◎ ELECTRICAL SYSTEM

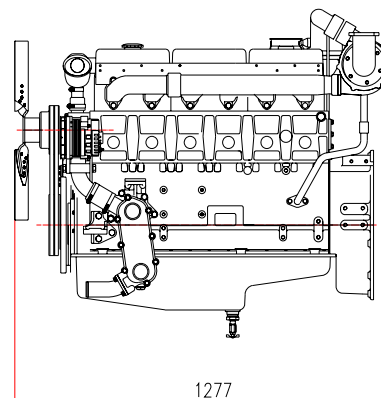
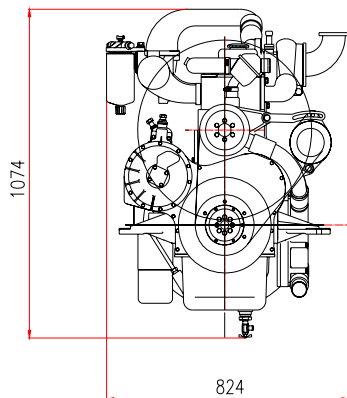
- Charging generator 24V x 45A [or 12V x 26A ] alternator
- Voltage regulator Built-in type IC regulator
- Starting motor 24V x 4.5kW [or 12V x 2.5kW ]
- Battery Voltage 24V [or 12V ]
- Battery Capacity 100 AH [or 150 AH ](recommended)
- Starting aid (Option) Block heater

## ◎ ENGINEERING DATA

- Water flow 190 liters/min @2,200 rpm
- Heat rejection to coolant 21.0 kcal/sec @2,200 rpm
- Air flow 15.3 m<sup>3</sup>/min @2,200 rpm
- Exhaust gas flow 18.0 m<sup>3</sup>/min @2,200 rpm
- Exhaust gas temp. 530 °C @2,200 rpm
- Max. permissible restrictions
  - Intake system 220 mmH<sub>2</sub>O initial  
635 mmH<sub>2</sub>O final
  - Exhaust system 1,000 mmH<sub>2</sub>O max.

## ◆ CONVERSION TABLE

- in. = mm x 0.0394      lb/ft = N.m x 0.737
- PS = kW x 1.3596      U.S. gal = lit. x 0.264
- psi = kg/cm<sup>2</sup> x 14.2233      kW = 0.2388 kcal/s
- in<sup>3</sup> = lit. x 61.02      lb/PS.h = g/kW.h x 0.00162
- hp = PS x 0.98635      cfm = m<sup>3</sup>/min x 35.336
- lb = kg x 2.20462



### Head office

Room 1007, Building A, No. 399, Hengnan Road , Minhang District,  
Shanghai, China

TEL : 86-21-3328-2711, FAX : 86-21-3412-7993

Shanghai Diesel Engine Family Co.,Ltd

Email : sales@engine-family.com, info@engine-family.com

Web site : www.client-diesel.com, www.engine-family.com

※ Specifications are subject to change without prior notice