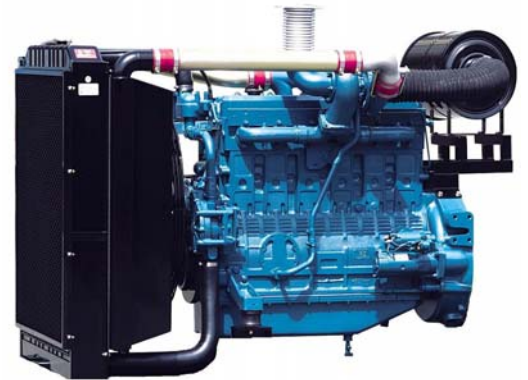


## ◎ POWER RATING

Intermittent rating kW(PS) / rpm	Max. torque N.m(kg.m) / rpm	Fuel consumption g/kW.h(g/PS.h) / rpm
294 (400) / 2,100	1521 (155) / 1,400	220 (162) / 2,100

Note : 1. The engine performance corresponds to ISO 3046, DIN 6270B.  
 2. Continuous duty at charge and constant speed consider on engine choice, a power derating of about 14%.  
 3. Max. rpm of Continuous duty is 1,800rpm.



## ◎ MECHANICAL SYSTEM

- Engine Model PU126TI
- Engine Type In-line 4 cycle, water cooled  
Turbo charged & intercooled
- Combustion type Direct injection
- Cylinder Type Replaceable dry liner
- Number of cylinders 6
- Bore x stroke 123(4.84) x 155(6.1) mm(in.)
- Displacement 11.051(674.5) lit.(in<sup>3</sup>)
- Compression ratio 17 : 1
- Firing order 1-5-3-6-2-4
- Injection timing 14° BTDC
- Compression pressure Above 28 kg/cm<sup>2</sup>(398 psi) at 200rpm
- Dry weight Approx. 910 kg (2006 lb)
- Dimension (LxWxH) 1,383 x 870 x 1,207 mm  
(54.4 x 34.3 x 47.5 in.)
- Rotation Counter clockwise viewed  
from Flywheel

## ◎ MECHANISM

- Type Over head valve
- Number of valve Intake 1, exhaust 1 per cylinder
- Valve lashes at cold Intake 0.30 mm(0.0118 in.)  
Exhaust 0.30 mm(0.0118 in.)

## ◎ VALVE TIMING

- |                 | Opening      | Close        |
|-----------------|--------------|--------------|
| ○ Intake valve  | 18 deg. BTDC | 34 deg. ABDC |
| ○ Exhaust valve | 46 deg. BBDC | 14 deg. ATDC |

## ◎ OPTION & ACCESSORY PARTS

- Engine parts Fly wheel & housing  
Intake & exhaust manifold
- Accessory parts Raditor, silencer & air cleaner
- Electrical parts Gauge panel & stop solenoid

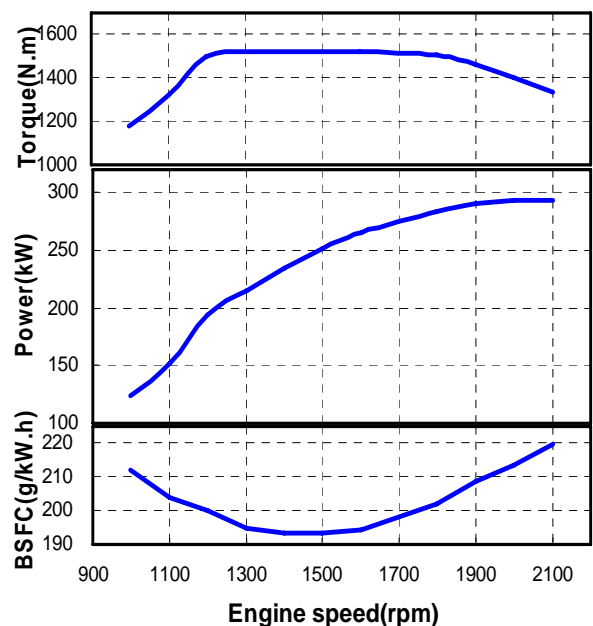
## ◎ FUEL SYSTEM

- Injection pump Zexel in-line "P" type
- Governor RSV type(all speed control)
- Feed pump Mechanical type
- Injection nozzle Multi hole type
- Opening pressure 220 kg/cm<sup>2</sup> (3,129 psi)
- Fuel filter Full flow, cartridge type
- Used fuel Diesel fuel oil

## ◎ LUBRICATION SYSTEM

- Lub. Method Fully forced pressure feed type
- Oil pump Gear type driven by crankshaft
- Oil filter Full flow, cartridge type
- Oil pan capacity High level 23 liters ( 6.1 gal.)  
Low level 20 liters ( 5.3 gal.)
- Angularity limit Front down 25 deg.  
Front up 25 deg.  
Side to side 15 deg.
- Lub. Oil Refer to Operation Manual

## ◎ PERFORMANCE CURVE



## ◎ COOLING SYSTEM

- Cooling method Fresh water forced circulation
- Water capacity 19 liters ( 5.02 gal.)  
(engine only)
- Pressure system Max. 0.9 kg/cm<sup>2</sup> ( 12.8 psi)
- Water pump Centrifugal type driven by gear
- Water pump Capacity 320 liters ( 84.5 gal.)/min  
at 2,100 rpm (engine)
- Thermostat Wax – pellet type  
Opening temp. 83°C  
Full open temp. 95°C
- Cooling fan Blower type, plastic  
755 mm diameter, 7 blade

## ◎ ELECTRICAL SYSTEM

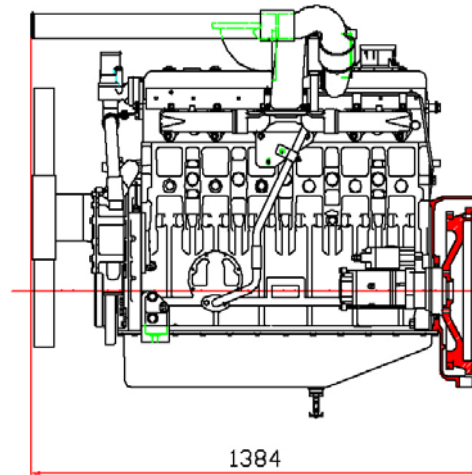
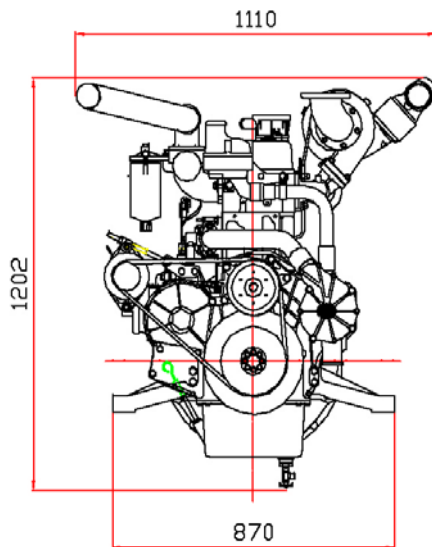
- Charging generator 24V x 45A alternator
- Voltage regulator Built-in type IC regulator
- Starting motor 24V x 6.0kW
- Battery Voltage 24V
- Battery Capacity 150 AH (recommended)
- Starting aid (Option) Block heater

## ◎ ENGINEERING DATA

- Water flow 320 liters/min @2,100 rpm
- Heat rejection to coolant 30 kcal/sec @2,100 rpm
- Air flow 26 m<sup>3</sup>/min @2,100 rpm
- Exhaust gas flow 65 m<sup>3</sup>/min @2,100 rpm
- Exhaust gas temp. 505 °C @2,100 rpm
- Max. permissible restrictions
  - Intake system 220 mmH<sub>2</sub>O initial  
635 mmH<sub>2</sub>O final
  - Exhaust system 1,000 mmH<sub>2</sub>O max.

## ◆ CONVERSION TABLE

- |                                    |                                    |
|------------------------------------|------------------------------------|
| in. = mm x 0.0394                  | lb/ft = N.m x 0.737                |
| PS = kW x 1.3596                   | U.S. gal = lit. x 0.264            |
| psi = kg/cm <sup>2</sup> x 14.2233 | kW = 0.2388 kcal/s                 |
| in <sup>3</sup> = lit. x 61.02     | lb/PS.h = g/kW.h x 0.00162         |
| hp = PS x 0.98635                  | cfm = m <sup>3</sup> /min x 35.336 |
| lb = kg x 2.20462                  |                                    |



### Head office

Room 1007, Building A, No. 399, Hengnan Road , Minhang District,  
Shanghai, China

TEL : 86-21-3328-2711, FAX : 86-21-3412-7993

Shanghai Diesel Engine Family Co.,Ltd

Email : sales@engine-family.com, info@engine-family.com

Web site : www.client-diesel.com, www.engine-family.com

※ Specifications are subject to change without prior notice